



Izerwaren
Order
numbers

- 316 Stainless steel hatch fasteners, flush type with separate key
- sea water resistant - leak proof
- finish: rolled 316 stainless steel

Installation: Drill hole: 22.5 mm Ø / 7/8"
Back set to center hole: 30 mm - 1 3/16"

Ordering Parts Separate:

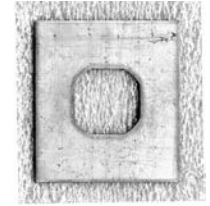
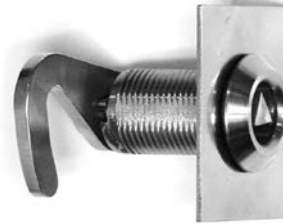
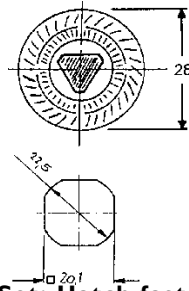
- 43.183 **Key**, stainless steel, triangular 8 mm
- 43.180 **Key** zamac, triangular, 8 mm
- 43.118 **Housing: 18 mm + mounting plate**
- 43.130 **Housing: 36 mm + mounting plate**
- 43.150 **Housing: 50 mm + mounting plate**
- 43.280 **Housing: 80 mm + mounting plate**
- 43.112 **Cam no. 1** inward, 12 mm
- 43.100 **Cam no. 2** neutral
- 43.104 **Cam no. 3** outward, 4 mm
- 43.110 **Cam no. 4** outward, 10 mm
- 43.227 **Hook cam (flat)** stainless steel
distance hook to bolt: 25 mm
- 43.295 **Mounting plate** 50 x45 x 1.2 mm
stainless steel

Hatch fastener sets complete:

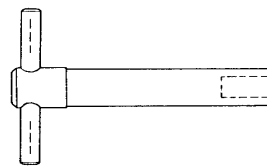
Set: 1x housing, 1x mounting plate, 1x cam
Keys to be ordered separately

To order sets with clearance:

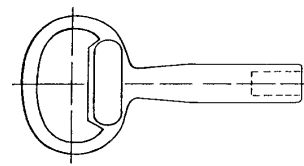
- 43.206 **6 mm - 1/4"** (18 mm body)
- 43.218 **18 mm - 3/4"** (18 mm body)
- 43.222 **22 mm 7/8"** (18 mm body)
- 43.228 **28 mm 1 1/8"** (18 mm body)
- 43.224 **24 mm - 1"** (36 mm body)
- 43.236 **36 mm 1 3/8"** (36 mm body)
- 43.240 **40 mm 1 13/16"** (36 mm body)
- 43.246 **46 mm 1 3/4"** (36 mm body)
- 43.238 **38 mm 1 1/2"** (50 mm body)
- 43.250 **50 mm 2"** (50 mm body)
- 43.254 **54 mm 2 1/8"** (50 mm body)
- 43.260 **60 mm 2 3/8"** (50 mm body)
- 43.268 **2 11/16" - 68 mm** (3 1/8" size body)
- 43.281 **3 1/8" - 80 mm** (3 1/8" size body)
- 43.284 **3 1/4" - 84 mm** (3 1/8" size body)
- 43.290 **3 1/2" - 90 mm** (3 1/8" size body)



Set: Hatch fastener with mounting plate and cam #43.295 Mounting plate



#43.183 Key stainless steel

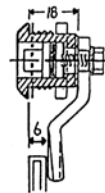


#43.180 Key zamac

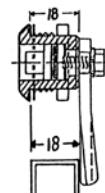


#43.227 Hook cam

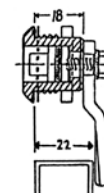
Stainless steel hatch fasteners are now shipped as set with square mounting plate



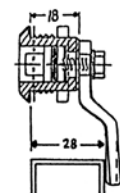
#43.206



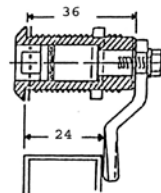
#43.218



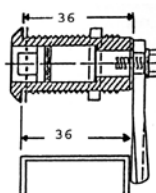
#43.222



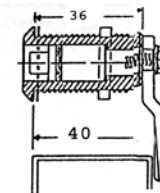
#43.228



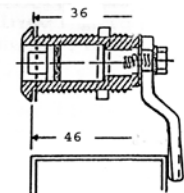
#43.224



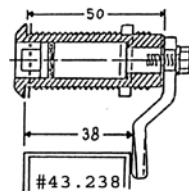
#43.236



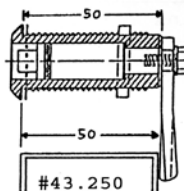
#43.240



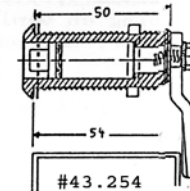
#43.246



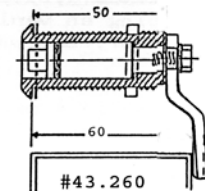
#43.238



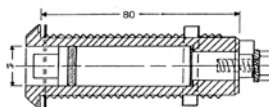
#43.250



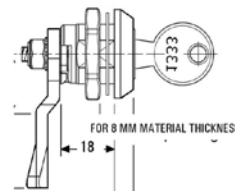
#43.254



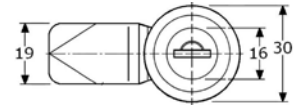
#43.260



#43.280; 80 mm (3 1/8")



#43.687K Key operated; Order cam separate.



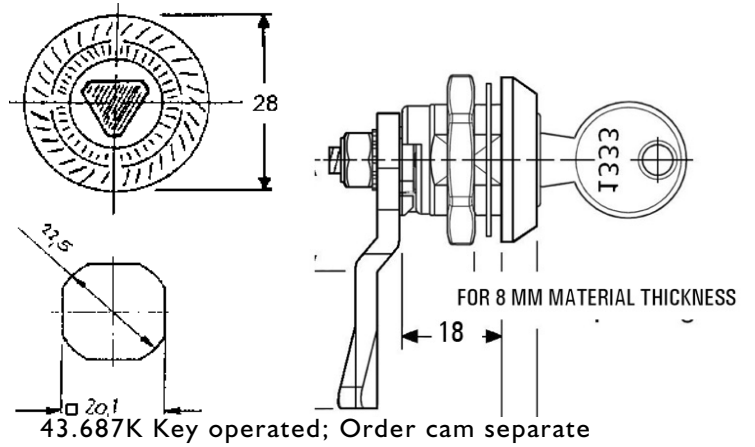
#43.687K Key operated

- 43.687K **Hatch fastener, key operated**
(18 mm body)
See also page no 4-3-A-B



IZERWAREN
Order
number

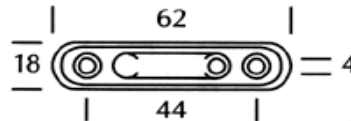
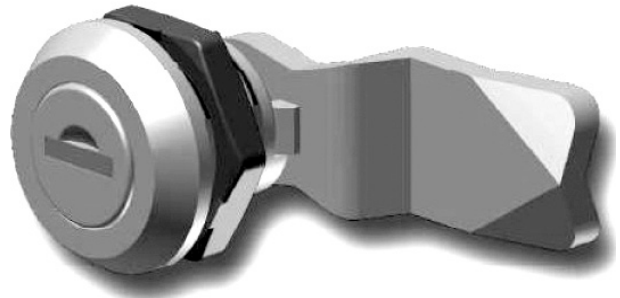
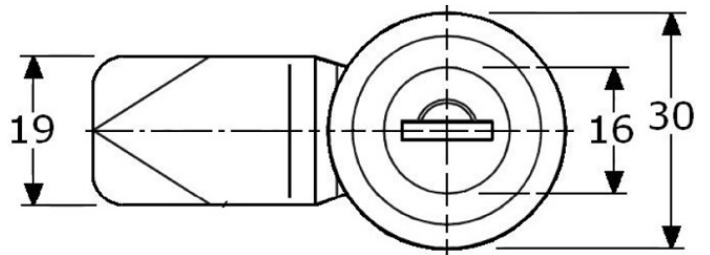
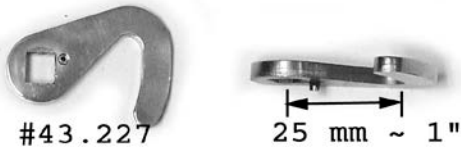
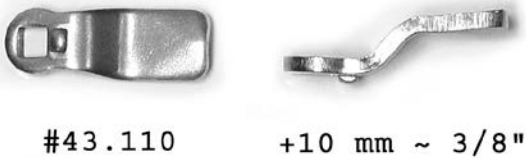
43.687K **Hatch cam with key** 316 stainless steel
finish: satin polished
outside diameter body: 28 mm
cut out: 22.5 mm
cam: long 1 3/4"
cam depth: adjustable 3/4"
depending on type of cam. (See below)



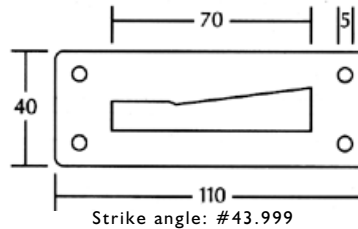
43.999 **Strike plate #43.999**
110 x 40 mm

43.998 **Strike plate flush** 43.998
64 x 18 mm
316 Stainless steel

Cams:



Strike plate flush #43.998



Strike angle: #43.999

For other cam locks see website / catalog / deck hardware / 316 stainless steel hatch fasteners / Pages 4-3-0-0 a. f.



Izerwaren
Order
numbers

- 316 Stainless steel hatch fasteners, can be used with stainless steel levers
- Hatch fasteners are:
- sea water resistant
- leak proof
- finish: body and cam: mill finish
Levers: mirror polished



For ordering hatch fastener bodies and cams:
See page 4-3 and 4-3-0



Shown: 36 mm body with 8x8 mm spindle; ... with stainless steel knob #12.050; 50 mm Ø



Shown: 36 mm body with lever #12.53F; ... lever 143 x 25 mm

- 12.050 Knob lever; 50 mm diameter
- 12.53F Lever Semi Flush; 143 mm long
Extends: 25 mm from surface
- 14.410 Lever Sable; 105 mm long
Extends: 35 mm from surface
- 12.527 Lever Standard; 130 mm long
- 12.045 Lever U shape; 140 mm long
- 12.5SF Lever Semi Flush Short ; 95 mm long
Extends: 25 mm from surface

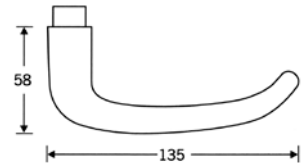


Shown: 36 mm body with lever #14.410; ... Lever stainless steel. Size 105 x 30 mm

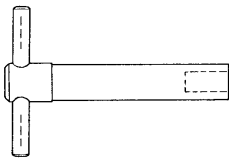
- 43.261 Hatch fastener with attached small bar.



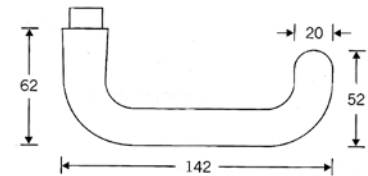
Lever # 12.527; 135 mm long; stands off 58 mm



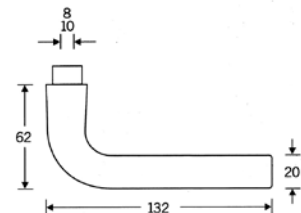
- 43.183 Separate key, stainless steel
See: page 4-3



Lever #12.045; 142 mm long; stands off 54 mm; 20 mm diameter



Lever #12.547; 132 mm long; stands off 64 mm; 20 mm diameter



Lever #12.5SF; 95 mm long; stands off 25 mm with standard plate; 20 mm wide



Izerwaren
Order
number

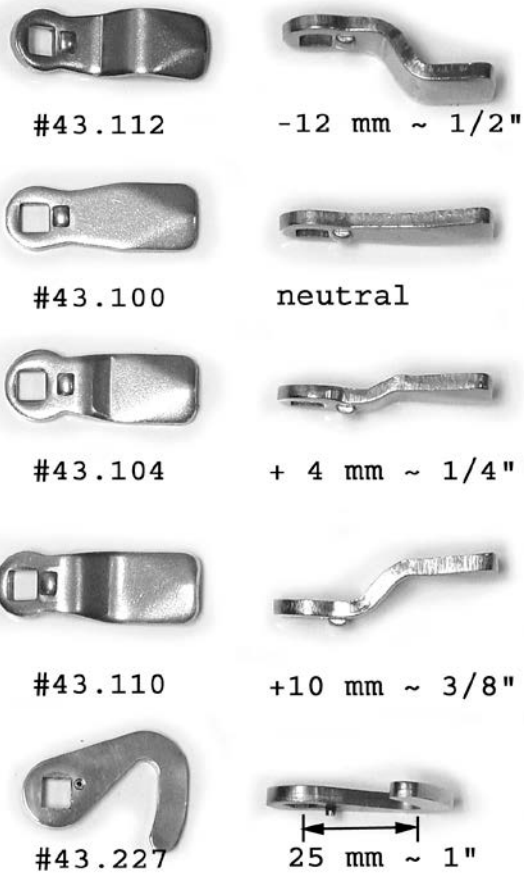
- Stainless Steel Flush Hatch Pulls, with cam polished 316 stainless steel,
- Stainless Steel Hold Down, with threaded bolt, polished 316 stainless steel.

43.5111 **Hatch Pulls with cam #43.5111**
 316 stainless steel
 finish: mirror polished
 outside diameter body: 2"
 cut out: 1 3/4"
 cam: long 1 3/4"
 cam depth: from 1 1/8" to 1 3/4" depending on type of cam. (See below)

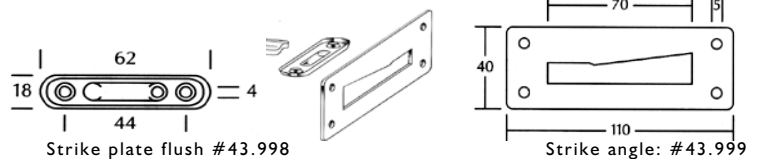
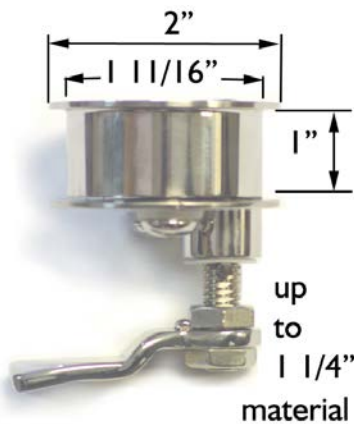
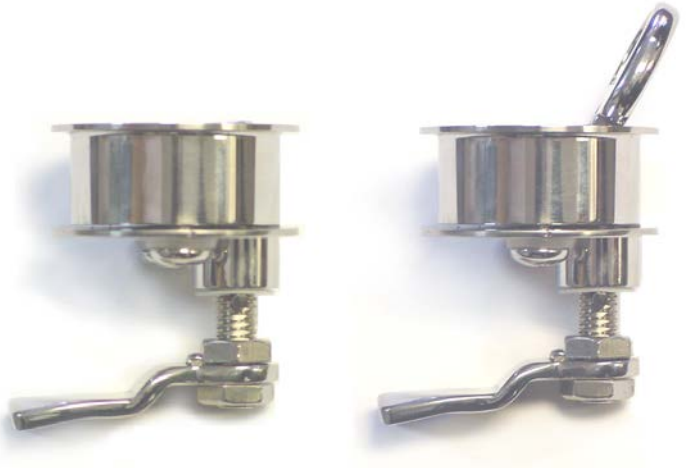
43.999 **Strike plate #43.999**
 110 x 40 mm

43.998 **Strike plate flush #43.998**
 64 x 18 mm
 316 Stainless steel

Cams:



Part number #43.5111
 Diameter body 1 11/16" Depth body 1" Cut hole 1 3/4"





Izerwaren
Order
numbers

- 316 Stainless steel slam latch with lift ring
- sea water resistant
- slam action when closing
- strike included
- finish: Lift ring polished stainless steel 316; body and cam: satin finish

SLAM LATCH WITH LIFT RING

Polished 316 stainless steel



- 43.F01 Slam latch for hatches**
 Set: 1x latch, 1 mounting ring with screws; 1 strike
 Diameter: 2 3/8"
 Built in diameter: 2"
 Material thickness: from 1/4" up to 13/16"
 Spring loaded slam action on latch bolt

- 43.F02 Slam latch for hatches, with locking with key**

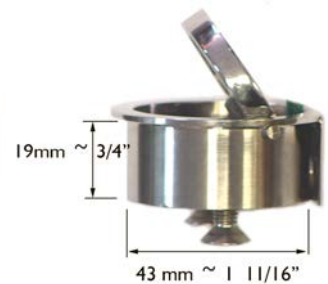
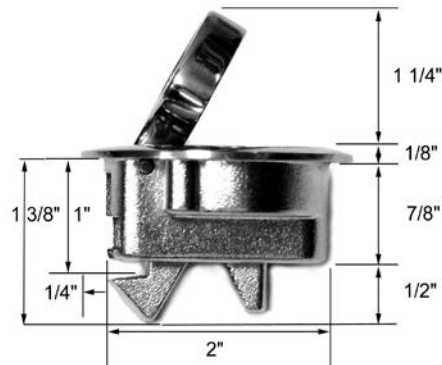


#43.F01 Slam latch



Mounting ring; 2 3/8" diameter

#43.F01
Installation body: Drill hole: 2" Ø



#43.505 Cabinet latch. Flush Slam Latch Mirror Polished 316 Stainless Steel Drill hole: 1 11/16" ~ 43 mm
Designed for 3/4 inch ~ 19 mm thick material. All parts high quality 316 stainless steel.

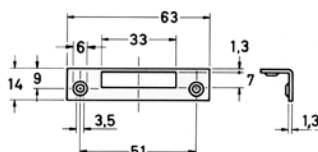
Strike plates:



#22.098S Brass nickel



#22.097I Brass nickel



#22.099 Roller Bolt stainless steel



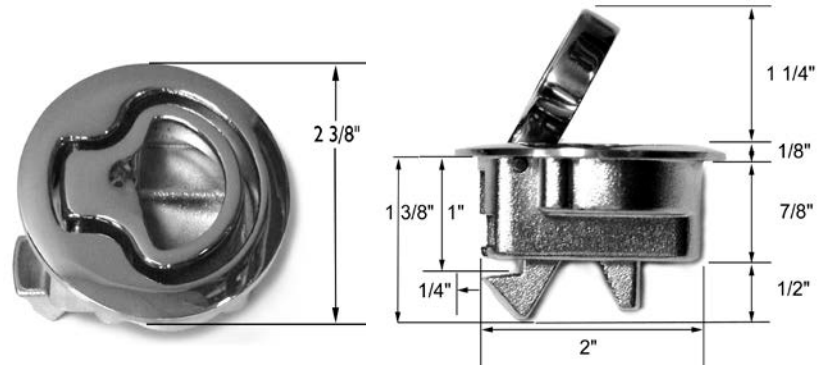
#23.012 brass nickel



Izerwaren
Order
numbers

- 43.F01 **Slam latch for hatches**
Set: latch, mounting ring with screws; strike.
Diameter: 2 3/8"
Built in diameter: 2"
Material thickness: from 1/4" up to 13/16"
Spring loaded slam action on latch bolt
Polished Stainless steel 316;
- 43.F02 **Slam latch for hatch, locking with key**

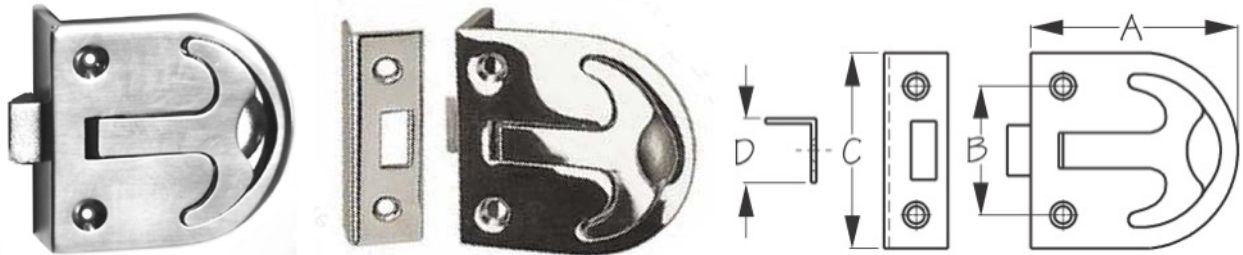
SLAM LATCH WITH LIFT RING



Slam latch #43.F01

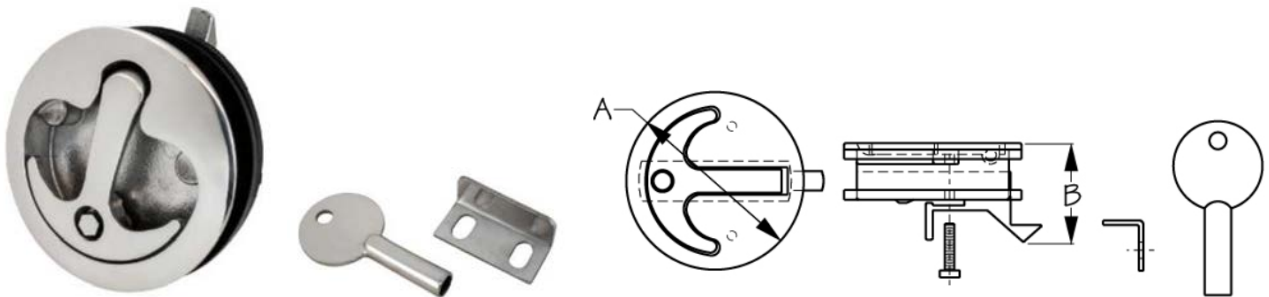
Installation body: Drill hole: 2 1/16" Ø

SLAM LATCH WITH PULL LEVER ANCHOR STYLE

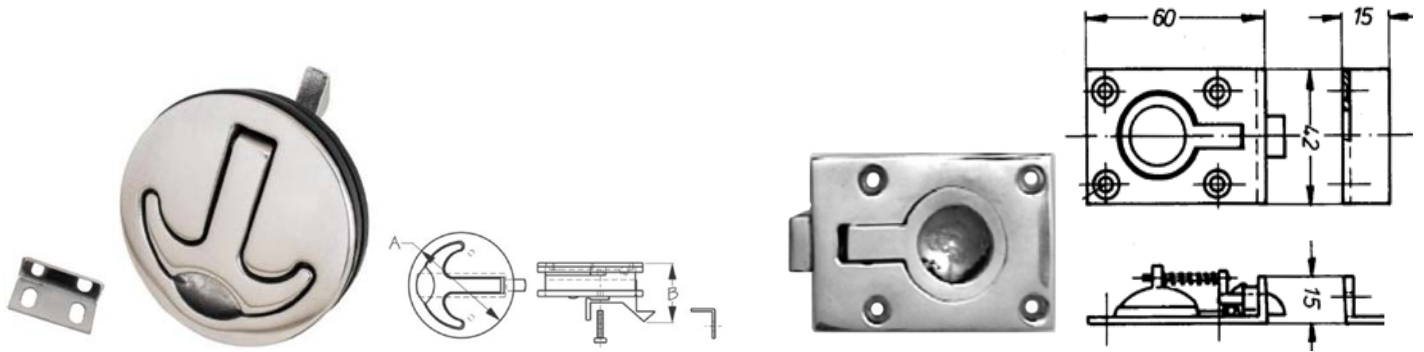


#43.831S Flush Slam latch, Pull type. Anchor style lift ring; strike plate included. **Pull Out** to release.
Dimensions: 2 7/16" (A) x 1 1/2" (B) x 2 1/4" (C) x 3/4" (D) Door thickness: 3/4". 316 Stainless Steel Satin Finish

SLAM LATCH WITH LIFT RING ANCHOR STYLE

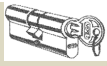


#43.972 Flush Slam latch with lift ring and angle strike plate, **locking**. **Pull Out** to release.
Dimensions: 2 3/8 diameter (A) x 1 11/16 deep (B) Hole size: 2 inch; Door thickness: 1/4 inch to 3/4 inch
316 Stainless Steel Mirror Polished Finish



#43.974 Slam latch 2 7/16 diameter (A); drill hole 2 3/16 inch,
distance (B): 1 3/8" material up to 5/8" thick;
316 polished stainless steel

#46.108 Flush Pull Lift with latch
Dimension: 60 x 42 x 15 mm; **Pull Out** to release
Angle strike 15 x 15 x 42 mm; Door thickness: 5/8" or 15 mm
Polished Chrome Plated Brass

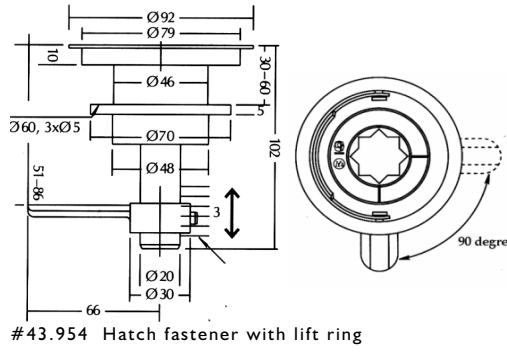


Izerwaren
Order
numbers

- Stainless steel hatch fasteners
- 316 stainless steel
- Sea water resistant
- Heavy duty
- Finish: Polished stainless steel
- Classed by German Lloyd



43.954 **Hatch fastener with separate lift ring**
Flush mount with straight cam
316 stainless steel
for use with octagon shaped keys



43.976 **Hatch fastener with separate lift ring**
with roller bearing cam

43.1535 **Hatch fastener with integrated lift ring**
NEW! With straight cam; 316 stainless steel

43.1534 **Hatch fastener with integrated lift ring**
NEW! With roller cam; 316 stainless steel

43.964 **Hatch fastener without lift ring**
with straight cam; 316 stainless steel

43.975 **Hatch fastener without lift ring**
with roller cam; 316 stainless steel

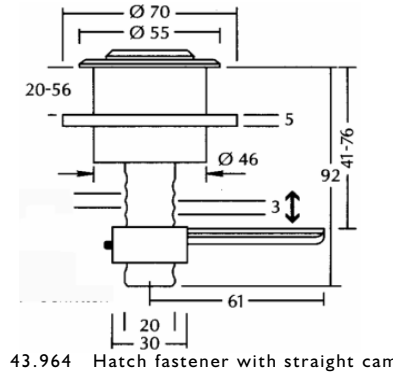
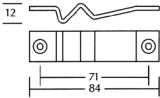
43.965 **Handle for back mounting**
For emergency opening



43.999 **Strike plate angle** 110 x 40 mm

43.998 **Strike plate flush** 62 x 18 mm

43.902 **Strike plate** 84 x 20 x 12 mm
for roller bearing cam



NEW!
#43.1535 Hatch fastener with lift ring and straight cam

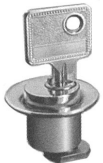


43.974 **Lift handle, removable**

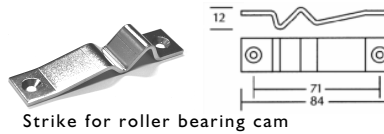
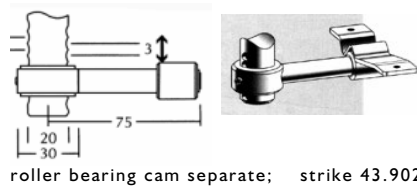


Cylinder lock for hatch lock

43.926

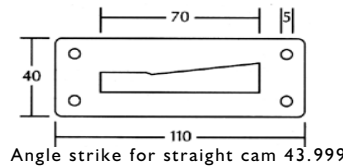


Prevents unauthorized use

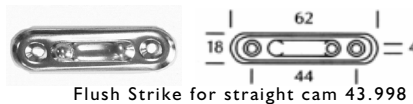


43.955 **Lift Ring separate**

43.957 **Straight cam separate**

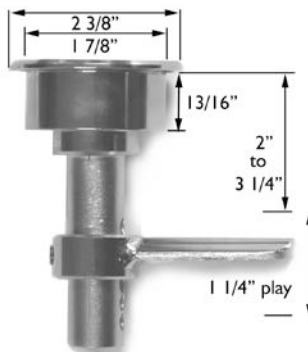


43.958 **Roller bearing cam only**

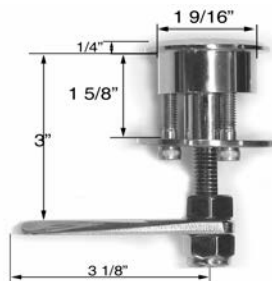




KEY OPERATED HATCH FASTENER WITH CAM KEY SOLD SEPARATE

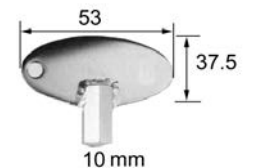
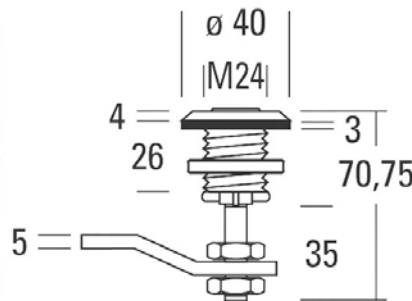


#43.964 Hatch fastener with cam With roller bearing cam: #43.975 Lifting / turning lever #43.974
48 mm diameter; up to 25 mm material thickness, with back plastic counter plate see also page 4-3-1.

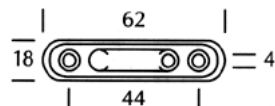


#43.F991 40 mm / 1 9/16" diameter; up to 1 5/8" material thickness

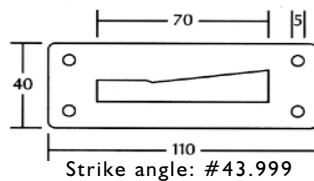
Key#43.F991K



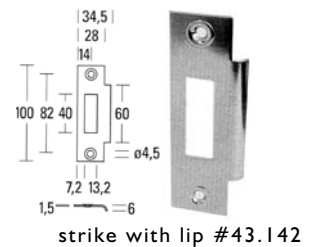
43.1029; 24 mm diameter, up to 3/4" material thickness cam reach 2 3/4" Key #43.1028



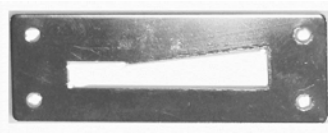
Strike plate flush #43.998,



Strike angle: #43.999



strike with lip #43.142

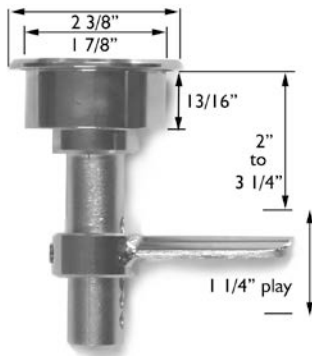




HATCH FASTENER WITH LIFTING LEVER



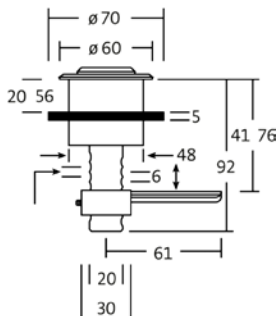
#43.964 Hatch fastener with straight cam
#43.975 with roller bearing cam



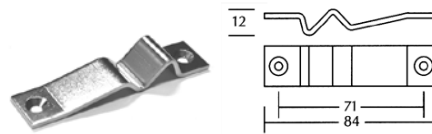
#43.1534 **NEW**
Hatch fastener with lift ring
and roller bearing cam
#43.1535
with straight cam



#43.974
Turning lever
clip on type



Outer diameter: 60 mm. Drill hole: 48 mm diameter;
for up to 25 mm material thickness,
with back plastic counter plate see also page 4-3-1.



#43.902 Roller bearing cam

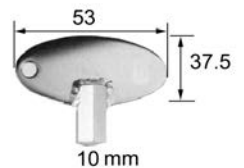
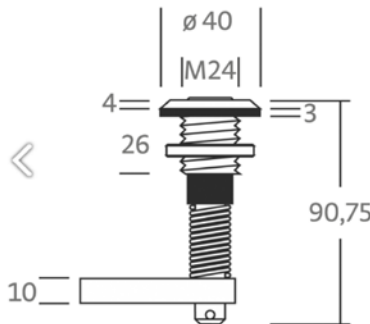


#43.926 Key lock

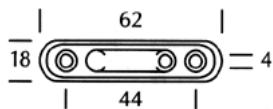
TORQING HATCH FASTENER, SPRING LOADED



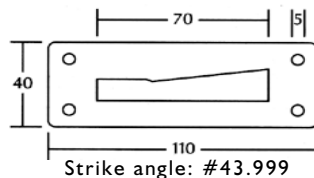
43.1026; 40 mm outside diameter, 24 mm inside diameter.
For up to 3/4" material thickness. Cam reach: 2 3/4" By turning key the cam tightens against the strike plate



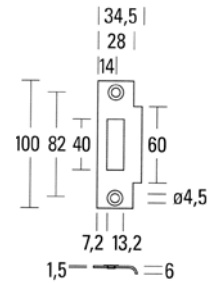
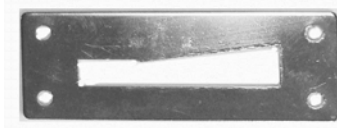
Key #43.1028



Strike plate flush #43.998,

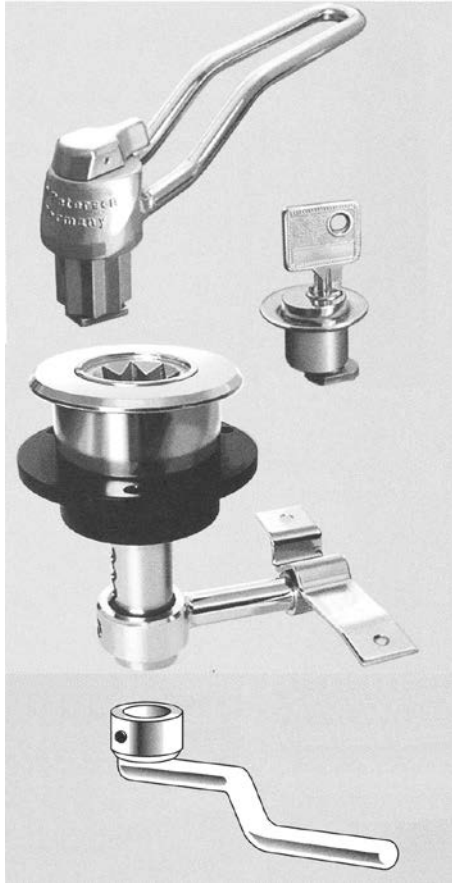


Strike angle: #43.999

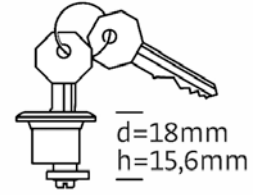


strike with lip #43.142

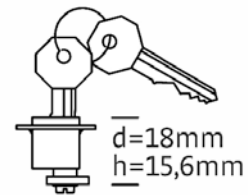




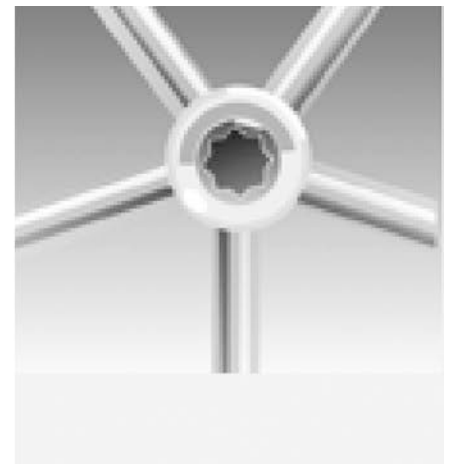
Showing #43.926 Winch lock with hatch fastener #43.975 with roller bearing cam + strike and lift handle #43.974

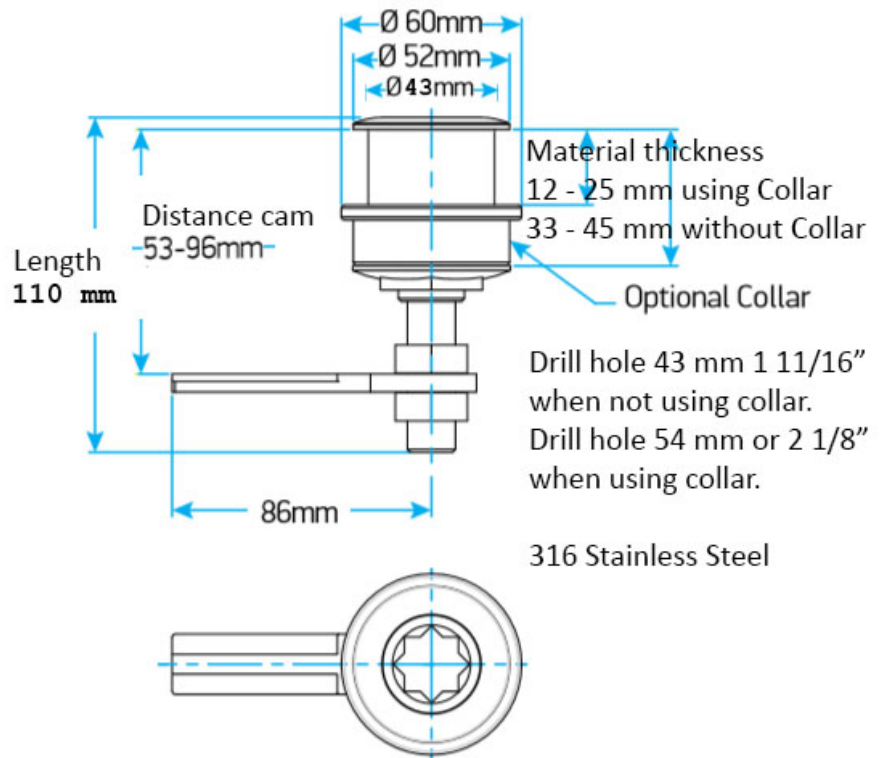
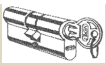


#43.1354



#43.926





Lewmar hatch fastener #43.894 Minimum Material thickness: 1/2 inch. Max: 1 3/4 inch
Cam: 3 3/8 inch long. Drill hole 1 3/4 inch or 2 1/8 inch when using collar.



Top view hatch mounting

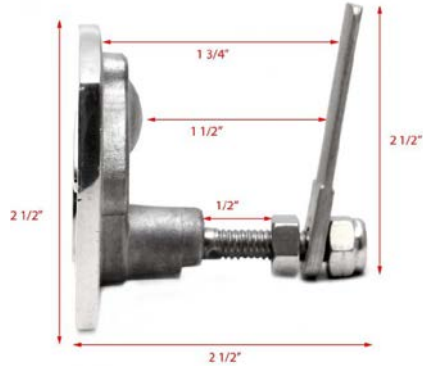
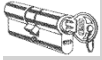


Bottom view.



Showing all parts included with Hatch Fastener #43.894.

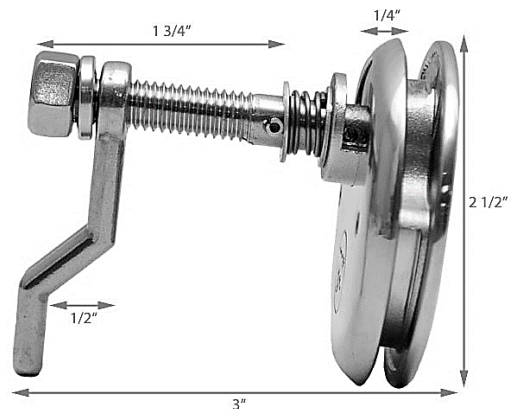
Separate order: Winch handle #43.974



#43.2525 Hatch fastener with straight cam and mounting plate

Drill Hole: 2 1/16 inch diameter

- Finish: Polished Stainless Steel
- Overall size: 2 7/16 x 2 7/16 inch;
- Reach from top to bottom cam: 1 1/2 to 2 inch.

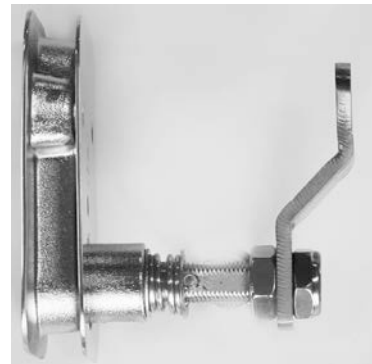
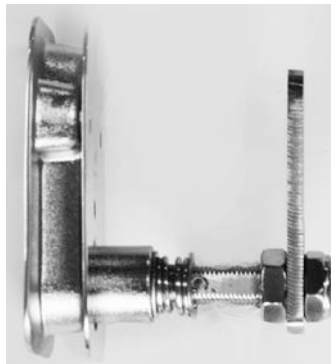
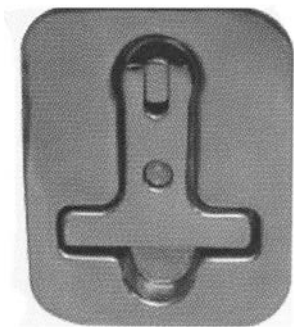


#43.1404 Hatch fastener with offset cam **(Limited available)**

Drill Hole: 2 1/8 inch diameter

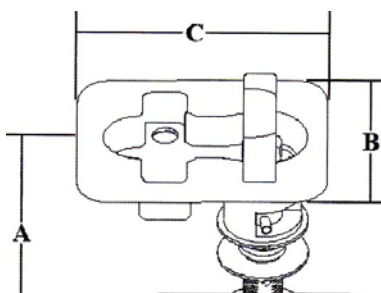
- Finish: Polished Stainless Steel
- Overall size: 2 1/2 inch diameter;
- Reach from top to bottom cam: from 1 to 3 inch.

COMPRESSING TYPE HATCH FASTENERS WITH CAM

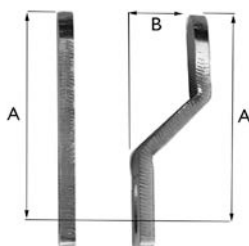


#115.43.52009; Compression Cam Latch with "T" model lift handle and locking key; Straight cam #115.85; Angle cam #115.87 #115.43.52005; non locking

DIMENSION TOP PLATE: B x C = 76 X 96 mm / 3" x 3 3/4"

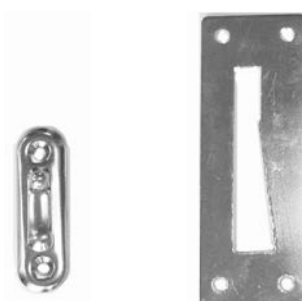


#115.43.52005 Hatch cam lock with key, compression type 90 degree turn
Dimension A = 90 to 79 mm (Distance to Cam)
Dimension B = 76 mm
Dimension C = 96 mm



Cams:
#115.85 straight
#115.87 bend;
dimension A = 2 3/8 inch
dimension B = 3/4 inch

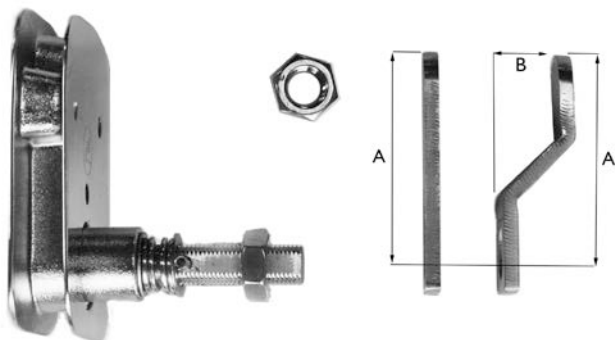
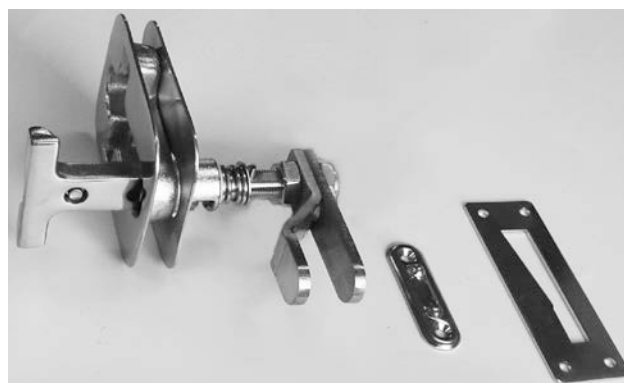
please order cams separate



Strike #43.998
18 x 6 2 mm

Strike #43.999
40 x 110 mm

please order strike plates separate



#115.43.52005; Latch non locking; Straight Cam #115.85; Angle cam #115.87

#115.43.52005; Latch non locking;



#43.1954 hatch cam lock with lift ring
Diameter 3 1/2"
Cut hole 3" +
Distance Cam from body: 3 3/32 inch to 1 inch
Minimum hatch thickness: 5/16 inch



#43.1953 Hatch cam lock with lift ring
Diameter 2 25/64"
Cut out 2" +
3 1/8 inch to 3/4 inch
3/16 inch

Distance Cam from body: 3 3/32 inch to 1 inch
Minimum hatch thickness: 5/16 inch

HATCH FASTENER WITH CAM - EASY MOUNTING



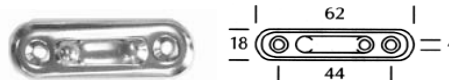
Hatch fastener #43.1954 (set) Includes: Cam and strike.
Dimension A = 3 1/2" diameter
Dimension B = 3 3/4"
Cut hole 3" diameter
Standard spring loaded strike included.



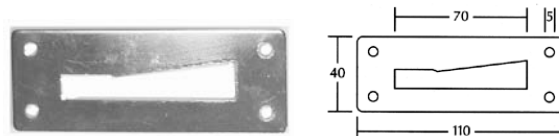
Hatch fastener #43.1953 (set) Includes: Cam and strike.
Dimension A = 2 25/64"
Dimension B = 3 3/4"
Cut hole 2" diameter
Standard spring loaded strike included.

OPTIONAL STRIKE PLATES:

Strike plate #43.998
110 x 40 mm



Strike plate flush #43.999
64 x 18 mm
316 Stainless steel





Izerwaren
Order
numbers

- 316 Stainless steel slam catch
- sea water resistant
- finish: polished stainless steel 316;

HATCHLIFT

43.F95

Hatch fastener / slam catch

2.6" x 1.9" depth: 0.5"
 thickness top: 1/8"
 Material thickness: 1/8"
 Body electro polished, face mirror polished



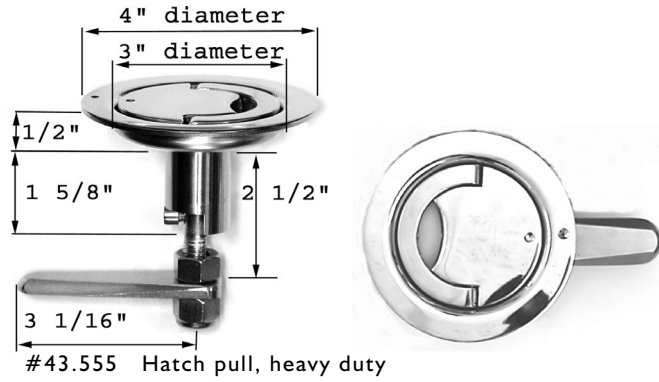
43.F99

#43.F95 Polished 316 stainless steel slam catch
 2.6" x 1.9" depth: .5"



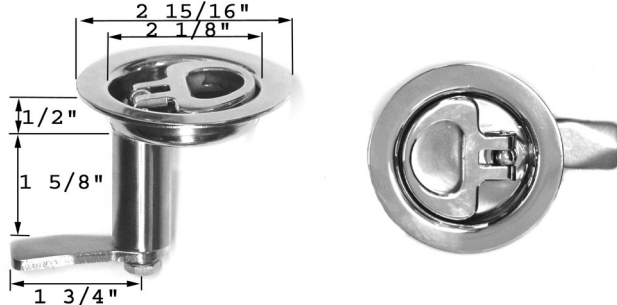
Izerwaren
Order number

43.555 Hatch Pulls with cam
316 stainless steel
finish: mirror polished
outside diameter: 4"
cut out: 3"
cam: long 3 1/16"
cam depth: from 2 1/4" to 2 3/4"



#43.555 Hatch pull, heavy duty

43.557 Hatch Pulls with cam
316 stainless steel
finish: mirror polished
outside diameter: 2 15/16"
cut out: 2 1/8"
cam: long 1 3/4"
cam depth: from 1 3/16" to 2 3/16"



#43.557 Locking hatch pull, heavy duty. For Cam sizes: page 4-3-0

43.5205 Hatch Pulls with cam 'Compression Style'
316 stainless steel
finish: mirror polished
outside diameter: 2 7/16"
cut out: 2"
cam: long 2"
cam depth: from 5/8" to 3"



thread allows for 12 mm play
#43.5205 Locking hatch pull with 1/8" compression when locking lever
Order with cam to fit. More info see page 4-3-3 l

43.551 Tie down
316 stainless steel
finish: mirror polished
outside diameter: 4"
cut out: 3"
2 bolts: 1/2" x 5 1/2"



Tie down #43.551; heavy duty - outside diameter: 4"; cutout" 3"; bolts: 3/8" x 5 1/2"
Distance Center Bolts: 3 1/2"

43.556 Tie down
316 stainless steel
finish: mirror polished
outside diameter: 4"
cut out: 3"
bolt: 1/2" x 3"



#43.556 Tie Down; stainless steel. Outside diameter: 4" cut out: 3"
1x Bolt: 1/2" x 3" 316 stainless steel finish: mirror polished

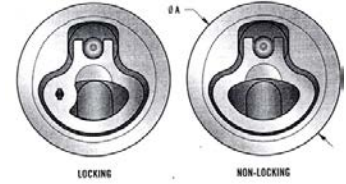


Izerwaren
Order
number

- Stainless Steel Flush Hatch Cam Latch, with cam polished 316 stainless steel, Outside diameter 2 7/16" (61 mm)



- Available in 50 mm (2") and 63.5 mm (2.5") sizes
- Stainless steel



43.5205 **Hatch Pulls with cam compression style**

316 stainless steel
 Outside diameter 2 7/16" (61 mm)
 Diameter housing: 2" (51 mm)
 Drill hole 2" diameter for installation
 Range of 44 mm or 1 3/4" using 3 cams:

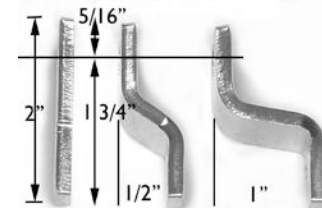
- 43.5215 Cam short strait
- 43.5125 Cam short offset 12 mm 1/2"
- 43.5235 Cam short offset 25 mm 1"

- 43.5265 Cam long strait
- 43.5175 Cam long offset 12 mm 1/2"
- 43.5285 Cam long offset 25 mm 1"



#43.5205 small model - all parts with straight cam showing 3 mm compression style hatch fastener with cam 316 stainless steel

3 types of short cams for model 43.5205:

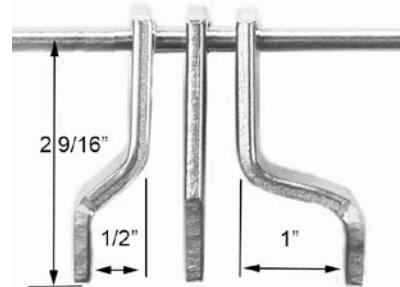


#43.5215 #43.5125 #43.5235

43.999 **Strike plate**

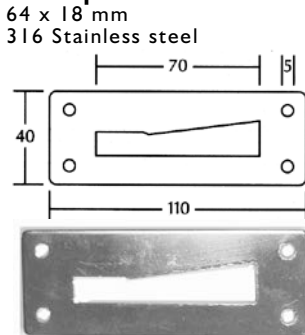


3 types of long cams for model 43.5205



#43.5265 #43.5275 #43.5285

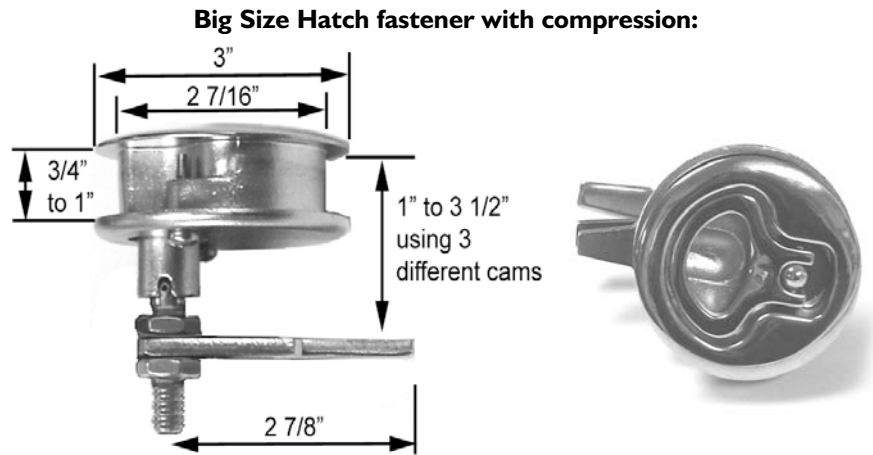
43.998 **Strike plate flush**





IZERWAREN
Order
number

- Stainless Steel Flush Hatch Pulls, with cam polished 316 stainless steel,



#43.5255 Outside diameter 76 mm or 3" (depicted)
 Drill hole +2 7/16" diameter for installation
 Available with 2 7/8" long cams, straight, and offset
 Range of 54 mm or 2 1/8" between cam options
 Compression distance: 4/32"

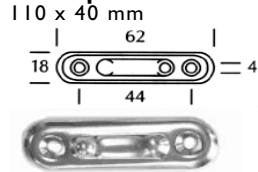
43.5255 Big size Hatch Pulls with cam compression style

316 stainless steel
 Outside diameter 3" (76 mm)
 Diameter hole: 2 7/16" (62 mm)
 Range of 90 mm or 3 1/2 inch using 3 cams:

- 43.55215 Long Cam strait Long: 74 mm or 2 7/8 inch
- 43.55125 Long Cam offset 12 mm or 1/2 inch
- 43.55185 Long Cam offset 25 mm or 1 inch

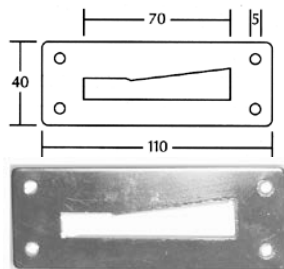
- 43.55245 Short Cam strait Long: 74 mm or 2 7/8 inch
- 43.55155 Short Cam offset 12 mm or 1/2 inch
- 43.55165 Short Cam offset 25 mm or 1 inch

43.999 Strike plate



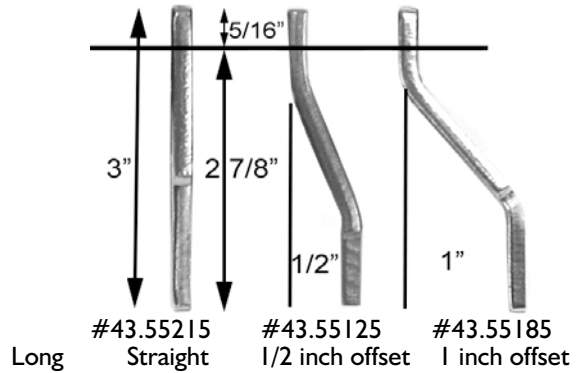
Strike plate flush

43.998 64 x 18 mm
 316 Stainless steel

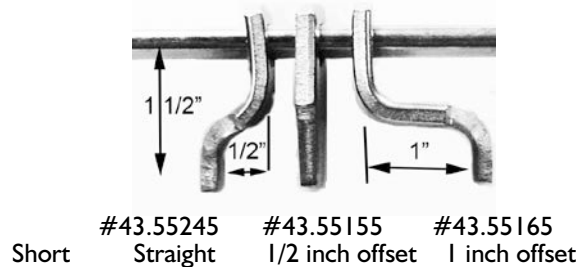


PLEASE CHOOSE

3 long cams for latch #43.5255:



3 short cams for latch #43.5255:





Izerwaren
Order
number

- Stainless Steel Flush Hatch Pulls, with cam polished 316 stainless steel,
- Stainless Steel Hold Down, with threaded bolt, polished 316 stainless steel.

43.554N **Hatch Pulls with cam #43.554N**
 316 stainless steel
 Outside diameter 2"
 Diameter housing: 1 11/16"
 Depth housing: 1 1/4"
 Depth to cam: 1 3/8"
 Max depth to cam 2"

32.999 **Strike plate #43.999**
 110 x 40 mm

43.998 **Strike plate flush #43.998**
 64 x 18 mm
 316 Stainless steel



Cams available:



#43.112



-12 mm ~ 1/2"



#43.100



neutral



#43.104



+ 4 mm ~ 1/4"



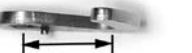
#43.110



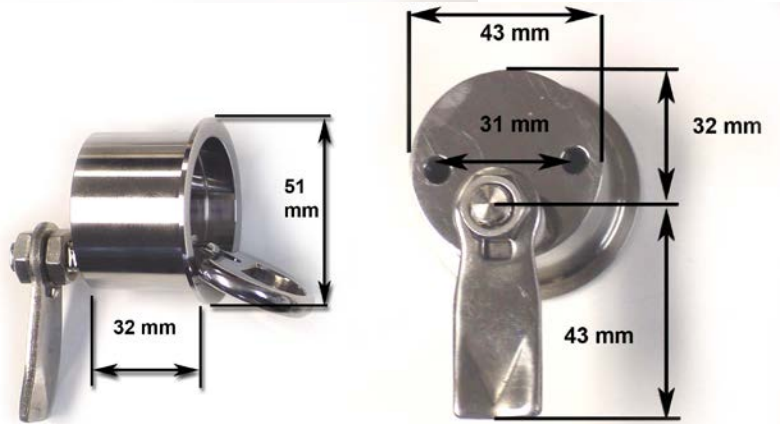
+10 mm ~ 3/8"



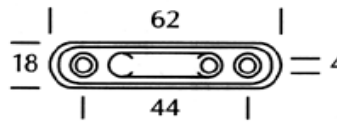
#43.227



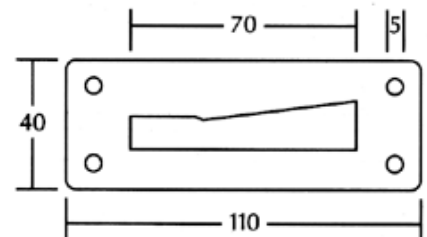
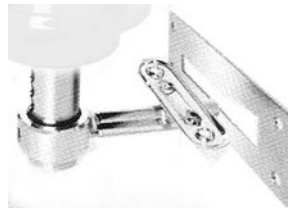
25 mm ~ 1"



New model 43.554N 316 stainless steel
 Outside diameter 2"
 Diameter housing: 1 11/16"
 Depth housing: 1 1/4"
 Depth to cam: 1 3/8"
 Max depth to cam 2"



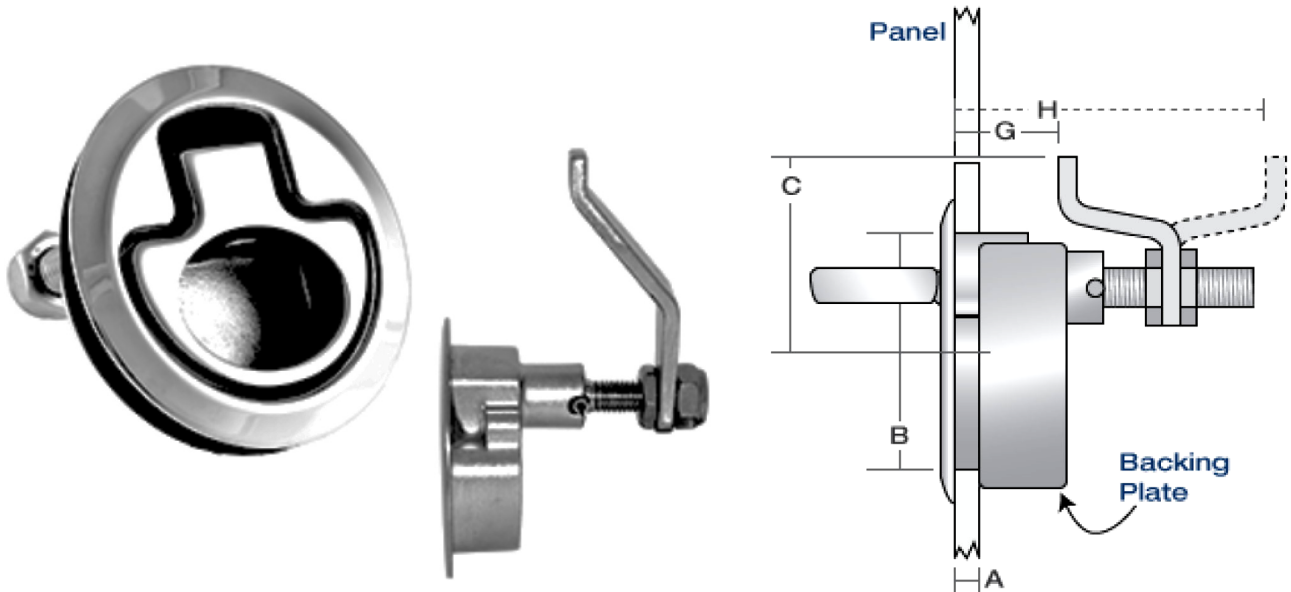
#43.998 Strike plate flush. 316 stainless steel



#43.999 Strike plate angle. 316 stainless steel:

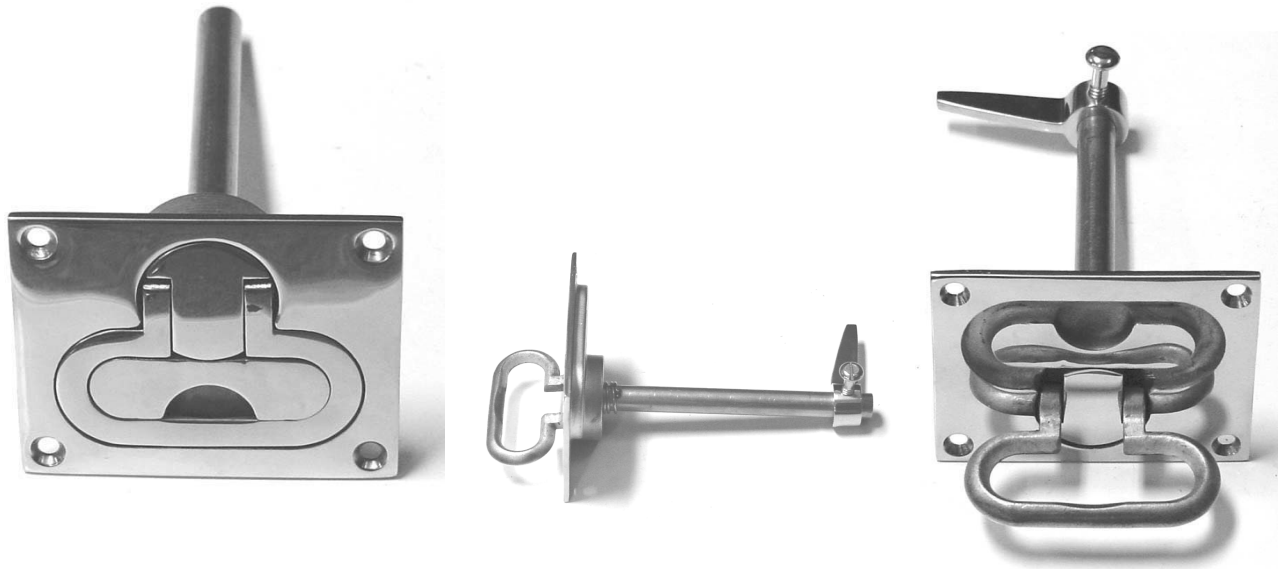


#43.4030 - COMPRESSION LATCH; CUTOUT HOLE OF 2 1/2 INCH.

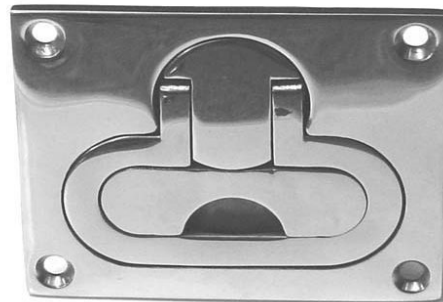


Assembly #	A Panel Thickness	B Cutout	C Cam Length	G Cam Grip Range	H Cam Grip Range, Reversed
#43.4030	0.07-0.44	2.5	2.19	0.91-1.26	2.84-3.31 inch

CAST 316 POLISHED STAINLESS STEEL;
 HEAVY DUTY QUALITY WITH BACKING PLATE.
 With either straight or angle cam. Cam included.
 Cam depth from top of hatch from 2.84 to 3.31 inch
 Cam shown on page 4-3-3-1 and page 4-3-3-2



Hatch Pull with locking cam #43.219;
316 Stainless, face plate: 3 3/4 x 3 inch;
length shaft: 5 1/8" diameter: 1/2"

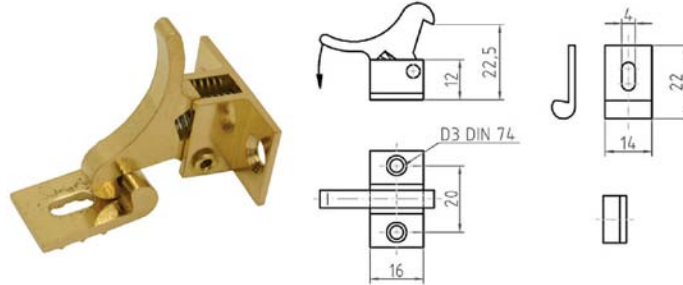


Hatch Pull only #43.217 3 3/4 x 3 inch;



Izerwaren
Order
numbers

21.516 **Finger pull (5160/61)**
elbow catch with strike, both handed.
Cover ring in hole in door:
drill 29 mm hole; OD: 34 mm ID: 23 mm



Finger pull #21.516 elbow catch; latch operates by pulling lever with finger, through hole in door. strike plate included; both handed

21.2801 **Ring (631.02.801) Brass Polished**
Diameter 35 mm; 18 mm high;

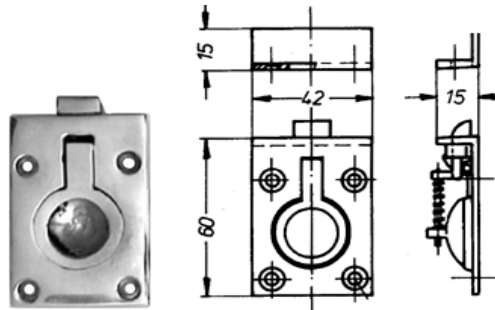
21.2701 **Ring (631.02.701) Satin Nickel**
Diameter 35 mm; 18 mm high;



#21.2801 Brass #21.2701 nickel
D = drill hole for OD 35 mm ring;
A = height 19 mm
thickness ring: 2 mm

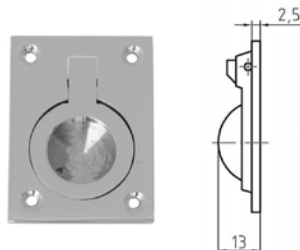
Brass Cover ring for hole in door:

24.160 **Flush Pull Lift with latch (4108)**
Brass, polished chrome plated,
Latch comes with strike
Body: 60 x 40 mm - 2 3/8" x 1 9/16";
strike 15 x 15 mm - 5/8" x 5/8"
mortise depth: 18 mm - 11/16"



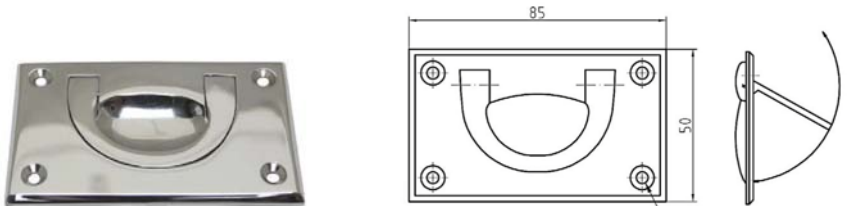
Finger pull catch #24.160 brass chrome plated

46.108 **Flush Pull**
Brass, polished chrome plated,
Size: 52 x 37 x 13mm
mortise depth: 13 mm 5/8"



Flush pull #46.108 chrome plated: 52 x 37 mm

46.020 **Flush Pull**
Brass, polished chrome plated,
Size: 85 x 50 x 13mm
mortise depth: 13 mm ~ 5/8"



Flush pull #46.020 chrome plated brass 85 x 50 x 13 mm; 3 3/8 x 2 x 5/8 inch

43.214 **Flush Pull Lift stainless steel**
2 1/4" x 3" ~ 57 x 76 mm
316 Cast Stainless steel

43.215 **Flush Hatch Lift stainless steel** 43.215
Dimension case: 2 1/2" x 1 3/4"
316 Cast Stainless steel

43.216 **Hatch Pull stainless steel #43.216**
Dimension case: 1 1/2" x 1 15/16"
316 Cast Stainless steel



#43.214
Flush Pulls 3" x 2 1/4"

#43.215;
1 3/4" x 2 1/2"

#43.216;
1 1/2" x 1 15/16"



Izerwaren
Order
numbers

#43.831S
Old number:
#47.1920

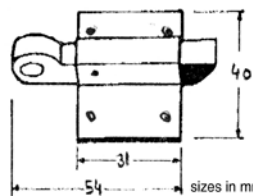


New number: #43.831S Old number: #47.1920 316 stainless steel Satin Finish
Flush Slam latch, Pull type. Anchor style lift ring; strike plate included.
Dimensions: 61 mm long (A) x 58 mm wide (C) x 19 mm deep (D). Door thickness: 19 mm
Dimensions: 2 7/16" (A) x 1 1/2" (B) x 2 1/4" (C) x 3/4" (D) Door thickness: 3/4"
Pull Out to open door / release.

47.22SP **Spring loaded catch #43.22SP**
40 x 31 mm; 1 1/2" x 7/8";
Throw: 1/2" 304 stainless steel

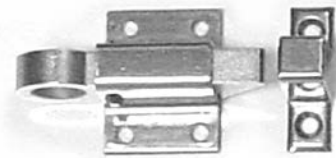


Catch #43.22SP, Strike #43.22ST

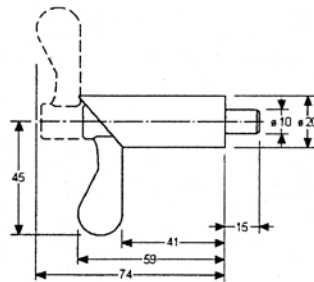


#47.22SP Spring loaded catch with eye. Plate: 40 x 31 mm; strike #47.22ST
Dimensions: 1 1/2" x 7/8" Stainless steel

47.22ST **Strike for Spring loaded catch**
12 x 40 mm 1/2" x 1 1/2"
304 stainless steel



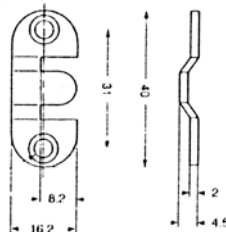
47.280 **Pin bolt ; stainless steel #47.280;**
throw: 5/8" diameter: 3/4"
Spring loaded; Weld on type.



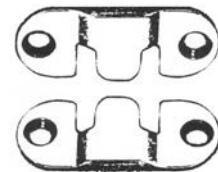
Pin bolt spring loaded #47.280; stainless steel; throw: 5/8" diameter: 3/4" length: 3"



47.212 **Flush mounting clips ; stainless steel**
dimensions: 5/8" x 1 9/16"
sold in pairs.
Work well for hanging paintings and
mirrors on walls and bulkheads.

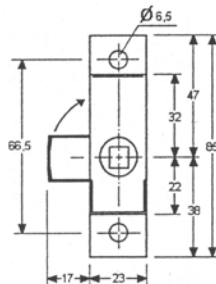
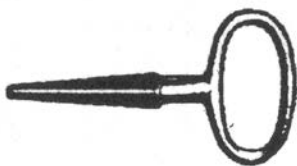


#47.212 flush mounting clips; stainless steel

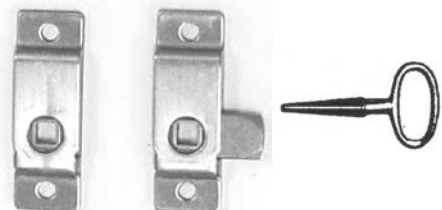


47.220 **Small cam lock with click;**
stainless steel
dimensions: 7/8" x 3 3/8"
sold in pairs.

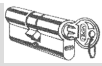
47.113 **Key; steel nickel plated #47.113**



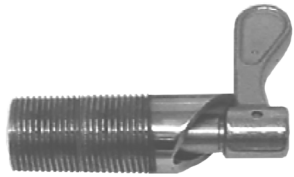
#47.220 cam lock stainless steel for M8 key or spindle



#key 47.113

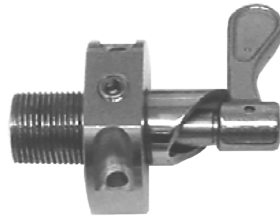


Izerwaren
Order
numbers

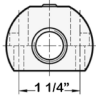
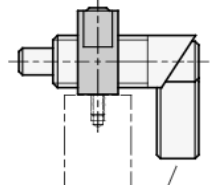


#47.281 Plunger threaded M20 x 1.5;

47.281



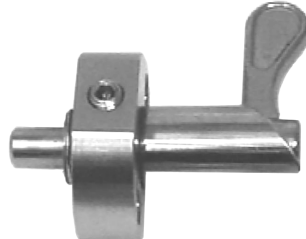
#47.281 Plunger with #47.293 Bracket for top mounting threaded M20 x 1.5; Set screw threaded M8



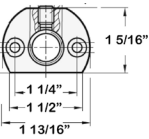
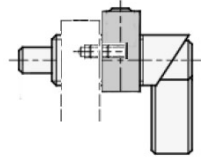
Set screw M8

47.293 Bracket for top mounting 15 mm thick x 46 mm wide x 33 mm

47.293

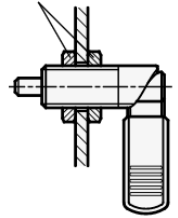
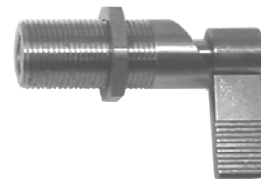
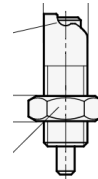
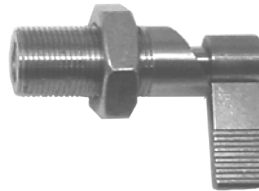


#47.281 Plunger with #47.294 Bracket for side mounting. threaded M20 x 1.5; Set screw threaded M8

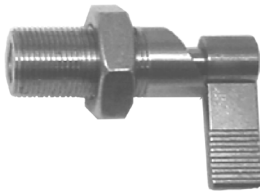


47.294 Bracket for side mounting. 15 mm thick x 46 mm wide x 33 mm Set Screw M8

47.294

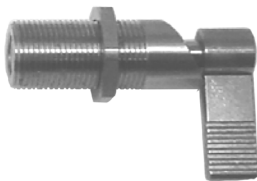


#47.281 Indexing Plunger with 10 mm thick nut #47.291
#47.281 Indexing Plunger with 5 mm thin nut #47.292 threaded M20 x 1.5;



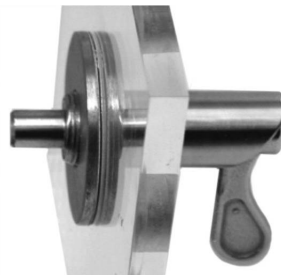
Nut M20; 10 mm thick #47.291

47.291

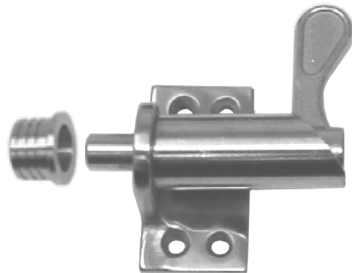


Nut M20; 5 mm thick #47.292

47.292



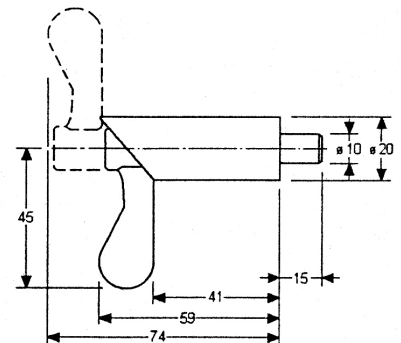
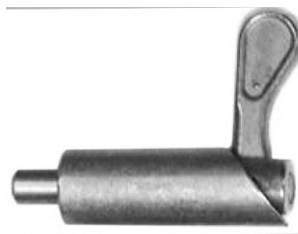
#47.281 Spring Loaded Indexing Plunger threaded M20' x 1.5 Shown with 50 mm diameter threaded thrust roses #15.050 through 10 mm Acrylic. Stainless steel; throw: 5/8"; body diameter: 3/4" Body length: 3"; threaded M20 x 1.5



Plunger threaded to bracket #64.741 Receiver #23.2424



Bracket #64.741
Stainless steel



#47.280 Indexing plunger; stainless steel for weld on apps. Dimensions in mm. Throw: 5/8"; Diameter: 3/4"; Body length: 2 3/8" Spring loaded; Body: 59 mm long; 20 mm diameter; Pin: 10 mm diameter.